

RED: PANTONE 1805

GREEN: PANTONE 363

PURPLE: PANTONE 526

YELLOW: PANTONE 7405

BLUE: PANTONE 285

GRAY: PANTONE 425

ORANGE: PANTONE 152

BLACK

WHITE

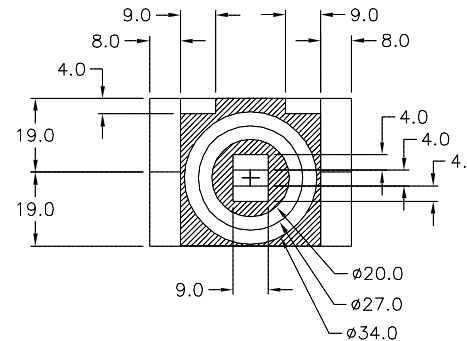
NOTES:

1. EACH STRIP CONTAINS 9 COLORED DECALS:

- RED: PANTONE 1805 (MATCHES A900169/M12-TORQUE-SLEEVE,RED(10PACK))
- GREEN: PANTONE 363 (MATCHES 100008750/M12-TORQUE-SLEEVE,GREEN(10PACK))
- PURPLE: PANTONE 526 (MATCHES 100008751/M12-TORQUE-SLEEVE,PURPLE(10PACK))
- YELLOW: PANTONE 7405 (MATCHES A900167/M12-TORQUE-SLEEVE,YELLOW(10PACK))
- BLUE: PANTONE 285 (MATCHES A900172/M12-TORQUE-SLEEVE,BLUE(10PACK))
- GREY: PANTONE 425 (MATCHES 100008752/M12-TORQUE-SLEEVE,GREY(10PACK))
- ORANGE: PANTONE 152 (MATCHES 100008759/M12-TORQUE-SLEEVE,ORANGE(10PACK))
- BLACK: (MATCHES A900170/M12-TORQUE-SLEEVE,BLACK(10PACK))
- WHITE: (MATCHES A900171/M12-TORQUE-SLEEVE,WHITE(10PACK))

2. EACH DECAL CONTAINS:

- QTY 5: 4X9 DECALS FOR PICOFAST (M8) JUNCTION BOX PORT LABELS
- QTY 4: 8X19 DECALS FOR EUROFAST (M12) JUNCTION BOX PORT LABELS
- QTY 1: Ø34 OD X Ø27 ID DECAL FOR EUROFAST RECEPTACLES WITH M20 OR 1/2" NPT MOUNTING THREADS
- QTY 1: Ø27 OD X Ø20 ID DECAL FOR EUROFAST RECEPTACLES WITH PG9, M16, OR 1/4" NPT MOUNTING THREADS.



INDIVIDUAL DECAL DETAIL

SOURCE DRAWING - FOR REFERENCE ONLY

| | | | | | |
|---|---|--|---|--|--------------|
| RELATED DOCUMENTS 1. 2. 3. 4. | 3RD ANGLE PROJECTION | THIS DRAWING IS CONFIDENTIAL AND THE PROPERTY OF TURCK INC. USE OF THIS DOCUMENT WITHOUT WRITTEN PERMISSION IS PROHIBITED. | | 3000 CAMPUS DRIVE MINNEAPOLIS, MN 55441 1-800-544-7769 (763) 553-7300 (763) 553-0708 fax www.turck.us | |
| | | TURCK | | | |
| MATERIAL SEE SPECIFICATIONS | DRFT RDS APVD L.F. | DATE 08/05/19 SCALE 1=2.0 | DESCRIPTION DECAL,9-CLRS,RECEPT+BOXES,EURO(QTY1) | | |
| FINISH SEE SPECIFICATIONS | UNIT OF MEASUREMENT MILLIMETERS | CONTACT TURCK FOR MORE INFORMATION | IDENTIFICATION NO. 100008955 | REV A | |
| A DRAWING RELEASE | RDS 08/06/19 | | DO NOT SCALE THIS DRAWING | FILE: 100008955 | SHEET 1 OF 1 |
| REV DESCRIPTION | BY DATE ECO NO. | | | | |